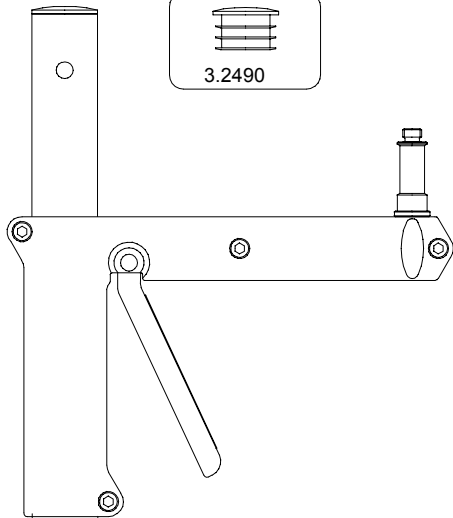
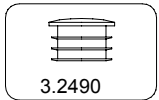
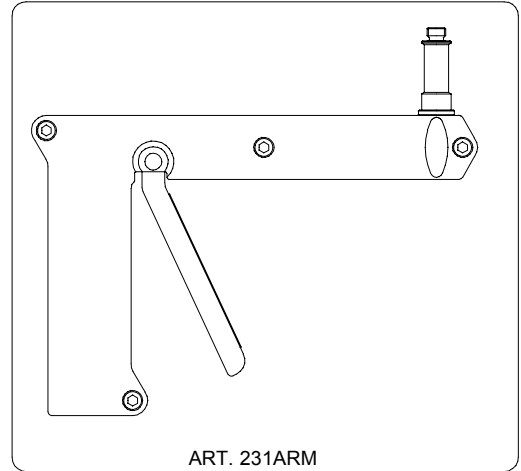


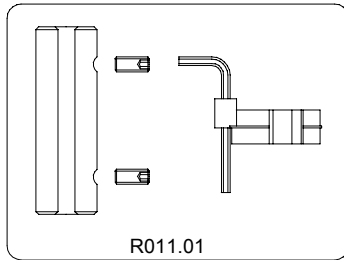
VERSIONE: 001
DEL: 1990-07-04



231.08

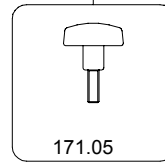


ART. 231ARM

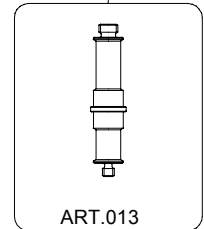


R011.01

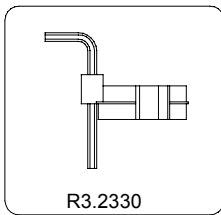
231.08



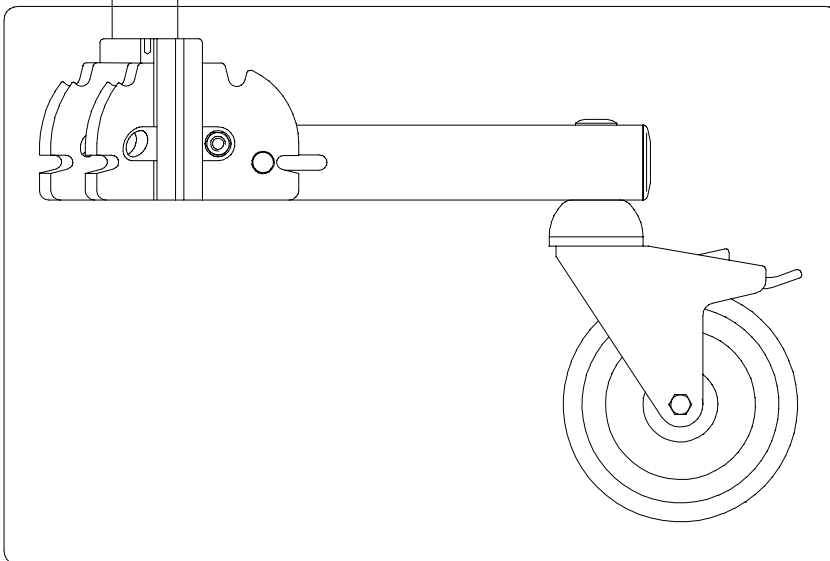
171.05



ART.013



R3.2330



FOR BASE
SPARE LIST
SEE DRAWING:
ART.
297BBASE